



REANTHONG PARTCENTER CO.,LTD.

HIGH QUALITY PRODUCTS
VALVE MANUFACTURE
www.rtvale.com



555 Soi Onnuch 66, Sukhumvit 77 Rd., Suanluang, Bangkok 10250 Thailand
Tel : (662) 322 7643 to 5, 322 6803 to 4, 721 0612 to 3 Fax : (662) 322 6805
e-mail : rtvalve@rtvalve.com, suluxkana@rtvalve.com



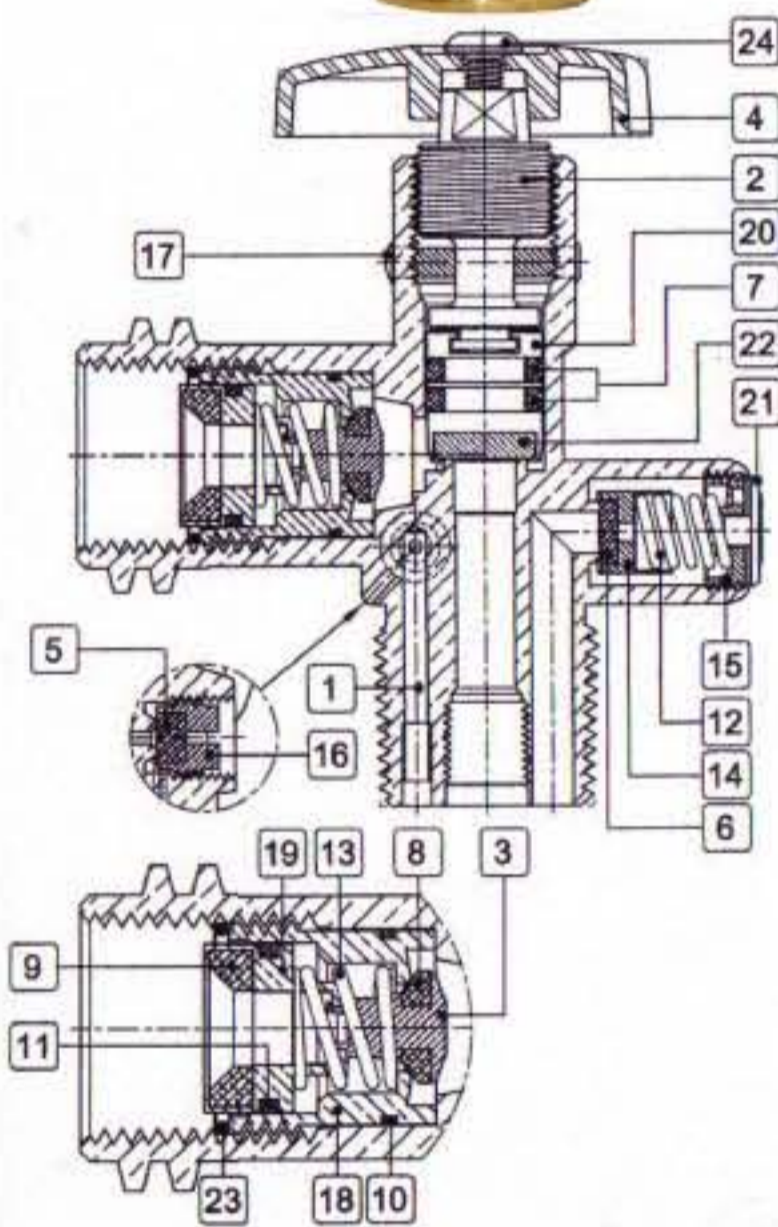
Model : V69

Inlet : 3/4" - 14NGT

Outlet : 1.312-5 ACME -2G - RH - EXT,
0.885 - 14 UNS - LH - INT

Relief Pressure : 375 - 480 PSI

Safety Relief Valve : 5 M³/MIN



No.	Part Name	Materials
1	Valve Body : V69	BRASS JIS H 3250-2000-C 3771
2	Spindle L32.3 : V64	BRASS JIS H 3250-2000-C 3604
3	Spindle Check Lock L12.5 : V69	BRASS JIS H 3250-2000-C 3771
4	Handwheel OPD : V69	Aluminum
5	Rubber Vent Plug Ø6x3.5 : V55EX	NBR
6	Rubber Pad Ø8x2 : V55EX	NBR
7	O-ring Ø9x2.8 : V64	NBR
8	Rubber Gasket Ø4.5 x Ø11.5x3 : V69	NBR
9	Rubber Gasket Ø7.8 x Ø16x4.5 : V69	NBR
10	O-ring Ø17 x1.3 : V63	NBR
11	O-ring Ø14 x1.8 : V63	NBR
12	Compression Spring T1.4 : V55EX	SUS 304
13	Compression Spring T1.4 : V69	SUS 304
14	Poppet L9 : V55EX	BRASS JIS H 3250-2000-C 3604
15	Retainer L4.5 : V55EX	BRASS JIS H 3250-2000-C 3604
16	Vent Plug L7.5 : V55EX	BRASS JIS H 3250-2000-C 3604
17	Pins L24.5 : V64	BRASS JIS H 3250-2000-C 2700
18	Sleeve Check Lock : V69	BRASS JIS H 3250-2000-C 3604
19	Bush Check Lock : V69	BRASS JIS H 3250-2000-C 3604
20	Stem L16 : V64	BRASS JIS H 3250-2000-C 3604
21	Safety Hand Off Ø13.5 : V55EX	Plastic
22	Seat Disc Ø12.5x3.2 : V64	Nylon 66
23	Lock Ring : V63	Stainless Steel
24	Screw : V69	Steel



Model : V64T

Inlet : 3/4" - 14NGT

Outlet : 0.885 - 14 NGO - LH - INT

Relief Pressure : 375 - 480 PSI

Safety Relief Valve : 5 M³/MIN



Model : V62

Inlet : W 28.8 - 14 DIN 477

Outlet : 5/8" - 14 BSPF - LH - INT

Relief Pressure : 375 - 480 PSI

Safety Relief Valve : 12 M³/MIN



Model : V63

Inlet : 3/4" - 14NGT

Outlet : 0.885 - 14 NGO - LH - INT

Relief Pressure : 375 - 480 PSI

Safety Relief Valve : 12 M³/MIN



Model : F1

Inlet : 3/4" - 14NGT

Outlet : 7/16 - 20 UNF

Relief Pressure : 375 - 480 PSI

Safety Relief Valve : 5 M³/MIN



Model : V2

Inlet : W 28 - 14

Outlet : W 22.5 - 14 - LH - INT

Relief Pressure : 285-340 PSI

Safety Relief Valve : 12 M³/MIN

POL



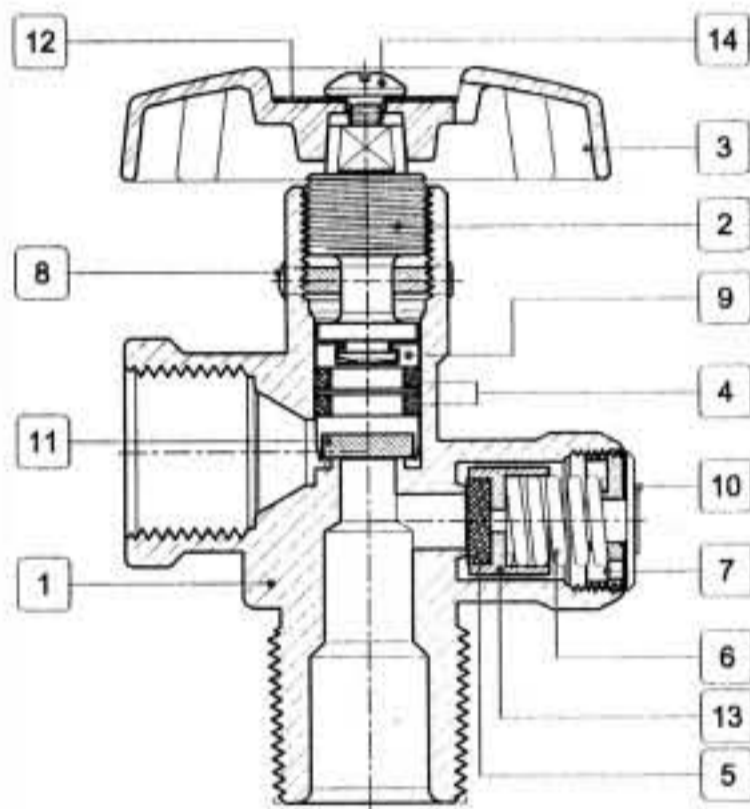
Model : V68

Inlet : 3/4" - 14NGT

Outlet : 0.885 - 14 NGO - LH - INT

Relief Pressure : 375 - 480 PSI

Safety Relief Valve : 12 M³/MIN



No.	Part Name	Materials
1	Valve Body : V68	BRASS JIS H 3250 - C 3771
2	Spindle L32.3 : V64	BRASS JIS H 3250 - C 3604
3	Handwheel RT : V64	Aluminum
4	O-ring Ø9x2.8 : V64	NBR
5	Rubber Pad Ø11.8x3.2 : V68	NBR
6	Compression Spring T2 : V68	SUS 304
7	Retainer L5 : V68	BRASS JIS H 3250 - C 3604
8	Pins L24.5 : V64	BRASS JIS H 3250 - C 2700
9	Stem L16 : V64	BRASS JIS H 3250 - C 3604
10	Safety Hand Off Ø19 : V68	Plastic
11	Seat Disc Ø12.5x3.2 : V64	Nylon 66
12	Name Plate RT : V64	Aluminum
13	Poppet L11 : V2	Duracon
14	Screw 5x10 : V64	Steel



Model : V95

Inlet : 3/4" - 14NGT

Outlet : 0.885 - 14 NGO - LH - INT

Relief Pressure : 375 - 480 PSI

Safety Relief Valve : 12 M³/MIN



Model : V68

Inlet : 3/4" - 14NGT

Outlet : 0.885 - 14 NGO - LH - INT

Relief Pressure : 375 - 480 PSI

Safety Relief Valve : 12 M³/MIN



Model : V67

Inlet : 3/4" - 14NGT

Outlet : 0.885 - 14 NGO - LH - INT



Model : V67

Inlet : 3/4" - 14NGT

Outlet : 0.885 - 14 NGO - LH - INT



Model : V64

Inlet : 3/4" - 14NGT

Outlet : 0.885 - 14 NGO - LH - INT

Relief Pressure : 375 - 480 PSI

Safety Relief Valve : 5 M³/MIN



Model : V64

Inlet : 3/4" - 14NGT

Outlet : 0.885 - 14 NGO - LH - INT

Relief Pressure : 375 - 480 PSI

Safety Relief Valve : 5 M³/MIN

Snap Tight



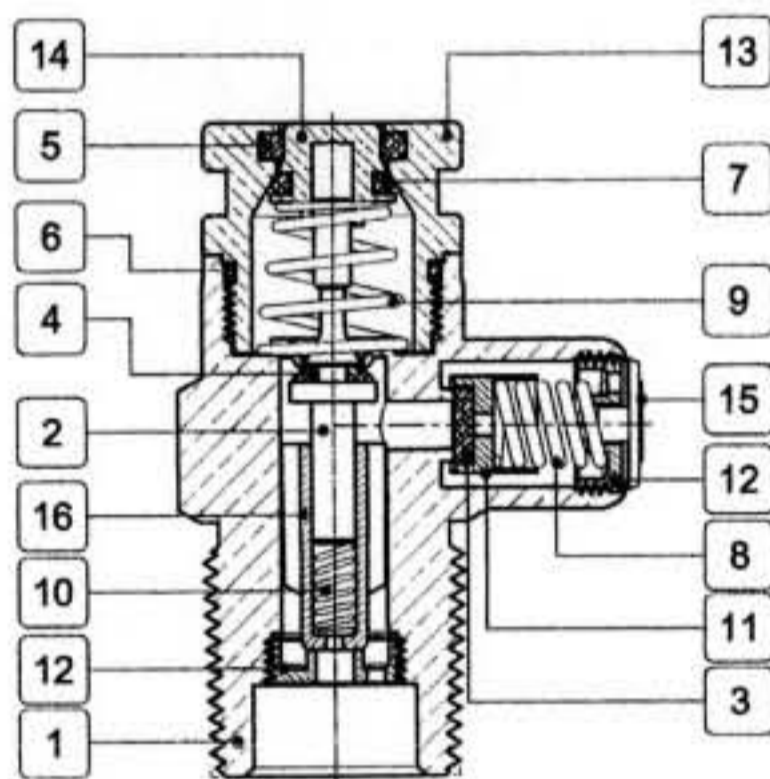
Model : V15S

Inlet : 3/4" - 14NGT

Outlet : 27 mm.

Relief Pressure : 375 - 480 PSI

Safety Relief Valve : 5 M³/MIN



No.	Part Name	Materials
1	Valve Body : V15S (Ø27)	BRASS JIS H 3250 - C 3771
2	Spindle L35.2 : V15N (Ø27)	BRASS JIS H 3250 - C 3604
3	Rubber Pad Ø8x2 : V55EX	NBR
4	Rubber Gasket Ø3xØ8.2x2.6 : V15	NBR
5	O-ring Ø10.9x2.7 : V15	NBR
6	O-ring Ø20x1.7 : V15	NBR
7	O-ring Ø7.8x2.1 : V15S	NBR
8	Compression Spring T1.4 : V55EX	SUS 304
9	Compression Spring Taper T1.2 : V15	SUS 304
10	Compression Spring T0.6 : V15	SUS 304
11	Poppet L9 : V55EX	BRASS JIS H 3250 - C 3604
12	Retainer L4.5 : V55EX	BRASS JIS H 3250 - C 3604
13	Gran Nut L23.5 : V15S	BRASS JIS H 3250 - C 3604
14	Spindle Cover L10.6 : V15S	BRASS JIS H 3250 - C 3604
15	Safety Hand Off Ø13.5 : V55EX	Plastic
16	Spindle Guide L21.5 : V15	Duracon



Model : V15N

Inlet : 3/4" - 14NGT

Outlet : 27 mm.



Mini Jumbo

Model : M16

Inlet : 3/4" - 14NGT

Outlet : 16 mm.

Relief Pressure : 375 - 480 PSI

Safety Relief Valve : 5 M³/MIN

Compact



Model : N19

Inlet : 1/2" - 14 NGT

Outlet : 20 mm.

Relief Pressure : 375 - 480 PSI

Safety Relief Valve : 5 M³/MIN



Model : M20

Inlet : W28.8 - 14 DIN 477

Outlet : 20 mm., 21 mm., 22 mm.

Relief Pressure : 375 - 480 PSI



Model : M17

Inlet : 3/4" - 14NGT

Outlet : 20 mm., 21 mm., 22 mm.

Relief Pressure : 375 - 480 PSI

Safety Relief Valve : 5 M³/MIN

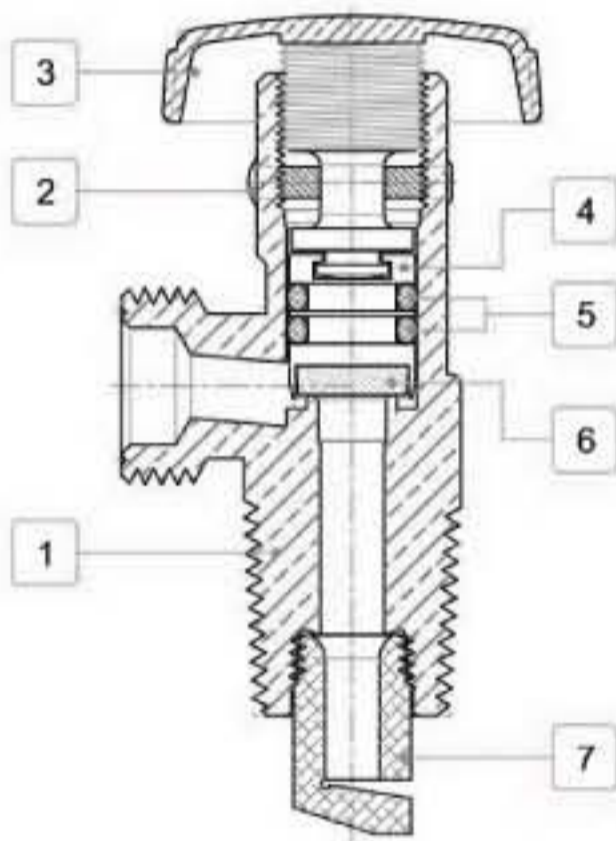


Model : M17N

Inlet : 3/4" - 14NGT

Outlet : 20 mm., 21 mm., 22 mm.

French Type



Model : F6E

Inlet : M 24 x 2

Outlet : W 21.7 -14 – LH – EXT

No.	Part Name	Materials
1	Valve Body : F6E (RT)	BRASS JIS H 3250 - C 3771
2	Pins L 24.5 : V64	BRASS JIS H 3250 - C 2700
3	Handwheel RT- M16x1.0 : F9	BRASS JIS H 3250 - C 3771
4	Stem L16 : V64	BRASS JIS H 3250 - C 3604
5	O-ring Ø9x2.8 : V64	NBR
6	Seat Disc Ø12.5x3.2 : F8	Nylon 6
7	Excess Flow Ø13x22 : F6	NBR



Model : F5

Inlet : M 25.5 X2

Outlet : W 20 -14 – LH – EXT



Model : F5S

Inlet : M 25.5 X2

Outlet : W 20 -14 – LH – EXT

Relief Pressure : 375-480 PSI

Safety Relief Valve : 5 M³/MIN



Model : F9

Inlet : ¾" -14NGT

Outlet : W 21.8 -14 – LH – EXT



Model : F9S

Inlet : ¾" -14NGT

Outlet : W 21.8 -14 – LH – EXT

Relief Pressure : 26 bar

Safety Relief Valve : 5 M³/MIN



Model : F15S

Inlet : W 19.8 -14 DIN 477

Outlet : W 21.8 -14 – LH – EXT

Relief Pressure : 26 bar

Safety Relief Valve : 5 M³/MIN



Model : F6

Inlet : M 23.2 x 2

Outlet : W 21.8 -14 – LH – EXT

French Type



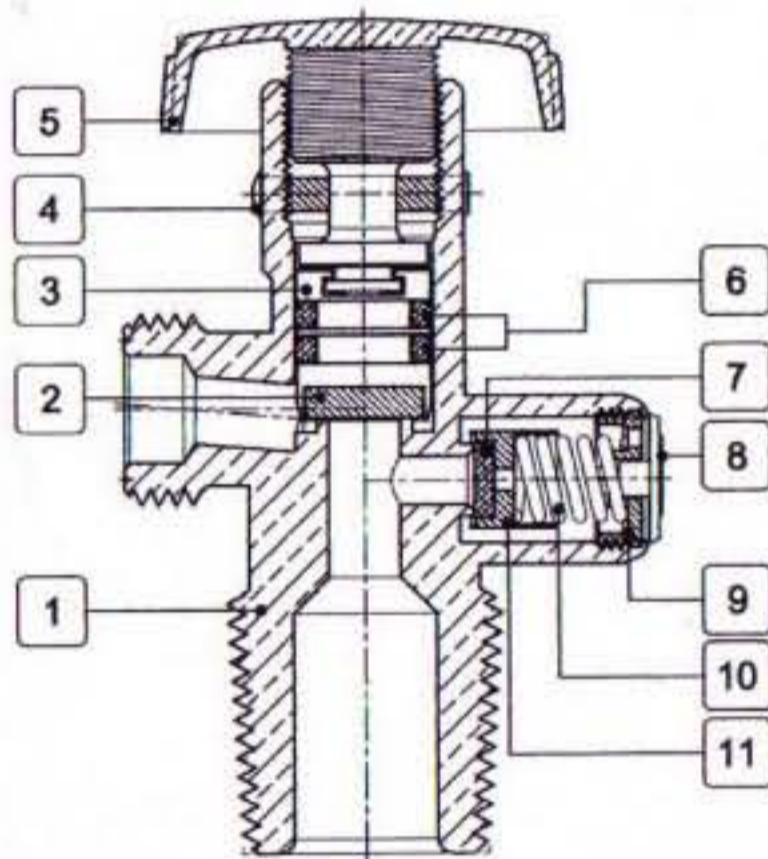
Model : F8S

Inlet : W 28.8 – 14 DIN 477

Outlet : W 20 - 14 - LH - EXT

Relief Pressure : 375 - 480 PSI

Safety Relief Valve : 5 M³/MIN



No.	Part Name	Materials
1	Valve Body : F8S	BRASS JIS H 3250 - C 3771
2	Seat Disc Ø12.5x3.2 : F8	Nylon 6
3	Stem L16 : V64	BRASS JIS H 3250 - C 3604
4	Pins L24.5 : V64	BRASS JIS H 3250 - C 2700
5	Handwheel M 16x1.0 : F9	BRASS JIS H 3250 - C 3771
6	O-ring Ø9x2.8 : V64	ECO / EN 549
7	Rubber Pad Ø8 x 2 : V55EX	ECO / EN 549
8	Safety Hand Off Ø13.5 : V55EX	Plastic
9	Retainer L4.5 : V55EX	BRASS JIS H 3250 - C 3604
10	Compression Spring T1.4 : V55EX	JIS G4314 - SUS 304
11	Poppet L9 : V55EX	BRASS JIS H 3250 - C 3604



Model : F8

Inlet : W 28.8 -14 – DIN 477

Outlet : W 21.8- 14 – LH – EXT



Model : F8

Inlet : W 28.8 - 14 DIN 477

Outlet : W 20 - 14 - LH - EXT



Model : F15

Inlet : W 19.3– 14

Outlet : W 21.8 – 14 – LH – EXT



Model : F15

Inlet : W 19.3 – 14

Outlet : W 20 – 14 – LH – EXT



Model : F15

Inlet : W 19.8 - 14 DIN 477

Outlet : W 21.8 – 14- LH – EXT



Model : F8S

Inlet : W 28.8 - 14 DIN 477

Outlet : W 21.8 -14 – LH – EXT

Relief Pressure : 26 bar

Safety Relief Valve : 5 M³/MIN



REANTHONG PARTCENTER CO.,LTD.



555 Soi Onnuch 66, Sukhumvit 77 Rd., Suanluang, Bangkok 10250 Thailand
Tel : (662) 322 7643 to 5, 322 6803 to 4, 721 0612 to 3 Fax : (662) 322 6805
www.rtvale.com , e-mail : rtvvalve@rtvvalve.com, suluxkana@rtvvalve.com